

Ratio LS 2000

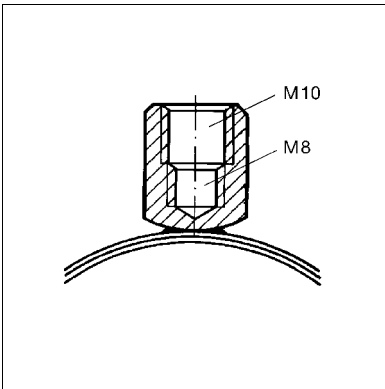
Application

Two-piece pipe clamp with double threaded nut (M8/M10) for installing pipe systems for M+E services. For soundproof ceiling, floor and wall installations. With time-saving quick-set clip.

From 4" on, or when higher static loads occur, or under reversed bending stress, we recommend the use of a Stabil pipe clamp with lining.

Installation

After pressing together both parts of the clamp, the clamping bolt head must be located behind the angled profiles; then tighten clamping bolt (max. 6 Nm).



Technical Data

| Size [mm] | Working load (tension) |
|-----------|------------------------|
| 12 - 84 | 1.0 kN |
| 83 - 90 | 1.4 kN |
| 108 - 114 | 1.5 kN |

Material:

| | |
|-------------------------|--|
| Clamp | Steel, electro-galvanised |
| Spring element | Spring steel |
| Sound absorption lining | SBR/EPDM (black) (see chapter "Sound Absorption Products") |
| Sound absorption | up to 17 dB(A) |

| Size range [mm] | NB | Thread connections | W [kg] | Quantity/ pack | Part number |
|-----------------|-------------|--------------------|--------|----------------|-------------|
| 12 - 20 | 1/4" - 3/8" | 20 x 1.5 | 0.05 | 100 | 157418 |
| 21 - 27 | 1/2" - 3/4" | 20 x 1.5 | 0.06 | 100 | 157427 |
| 28 - 35 | 1" | 20 x 1.5 | 0.07 | 100 | 157436 |
| 38 - 45 | 1 1/4" | 20 x 1.5 | 0.09 | 50 | 157445 |
| 48 - 56 | 1 1/2" | 20 x 1.5 | 0.09 | 50 | 157454 |
| 57 - 63 | 2" | 20 x 1.5 | 0.10 | 50 | 157463 |
| 64 - 71 | | 20 x 1.5 | 0.12 | 25 | 157472 |
| 74 - 84 | 2 1/2" | 20 x 1.5 | 0.12 | 25 | 157481 |
| 83 - 90 | 3" | 20 x 2.0 | 0.16 | 25 | 157490 |
| 108 - 114 | 4" | 25 x 2.0 | 0.26 | 25 | 157506 |