

15 - 72 mm

Stabil D-3G

Application

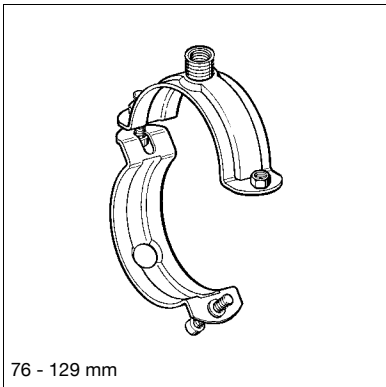
For the installation of pipes required for all M&E services in industrial, residential and public buildings.

Configuration

Sizes 15 to 129 mm are equipped with welded nuts for the clamping bolts. On the joint side, the clamping bolt is pre-assembled; the clamping bolt on the opposite side is mounted into the bore hole and retained by a plastic washer, thus preventing any accidental unscrewing.

For sizes 133 and larger the clamping bolts and the required nuts are supplied in loose form.

With welded in 3G triple thread nut; without sound absorption lining. For further adapter-based connection options via the external thread of the 3G triple thread nut, see product "Adapter f/f" (this chapter).



76 - 129 mm

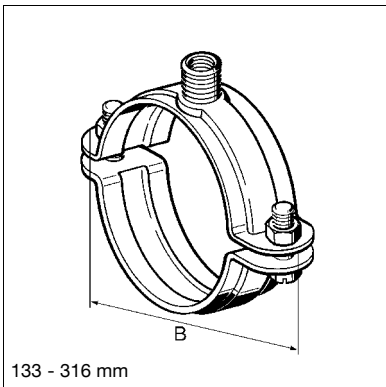
Technical Data

Size [mm]	Working load (tension)
15 - 72	4.0 kN
76 - 129	5.0 kN
133 - 173	8.0 kN
176 - 303	12.5 kN

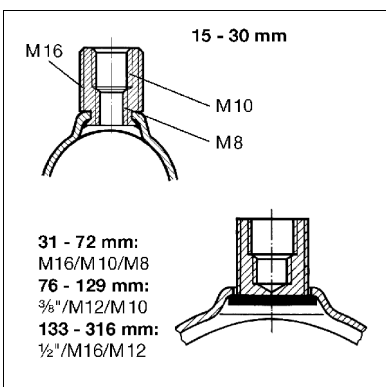
Material: Steel, electro-galvanised

Approvals

VdS-Approval No. G4920027, FM Approval



133 - 316 mm



Size range [mm]	NB	Material [mm]	Thread connection	B [mm]	W [kg]	Quantity/ pack	Part number
15 - 19	3/8"	25 x 2.0	M16/M10/M8	57	0.07	50	107705
20 - 24	1/2"	25 x 2.0	M16/M10/M8	62	0.08	50	107714
25 - 30	3/4"	25 x 2.0	M16/M10/M8	68	0.08	50	107723
31 - 35	1"	30 x 2.5	M16/M10/M8	75	0.12	50	107015
40 - 45	1 1/4"	30 x 2.5	M16/M10/M8	85	0.13	50	107024
48 - 53	1 1/2"	30 x 2.5	M16/M10/M8	93	0.15	50	107033
54 - 59		30 x 2.5	M16/M10/M8	104	0.16	50	107042
60 - 65	2"	30 x 2.5	M16/M10/M8	110	0.17	50	107051
67 - 72		30 x 2.5	M16/M10/M8	117	0.18	50	107060
76 - 81	2 1/2"	30 x 3.0	3/8"/M12/M10	142	0.27	25	107079
82 - 87		30 x 3.0	3/8"/M12/M10	148	0.29	25	107088
88 - 93	3"	30 x 3.0	3/8"/M12/M10	154	0.28	25	107097
102 - 108		30 x 3.0	3/8"/M12/M10	169	0.33	25	107103
110 - 116	4"	30 x 3.0	3/8"/M12/M10	177	0.34	25	107112
124 - 129		30 x 3.0	3/8"/M12/M10	190	0.37	25	107121
133 - 140		40 x 4.0	1/2"/M16/M12	207	0.76	10	107130
140 - 148	5"	40 x 4.0	1/2"/M16/M12	215	0.78	10	115885
149 - 155		40 x 4.0	1/2"/M16/M12	222	0.80	10	107149
159 - 165		40 x 4.0	1/2"/M16/M12	232	0.87	10	107158
167 - 173	6"	40 x 4.0	1/2"/M16/M12	240	0.90	10	107167
176 - 184		40 x 4.0	1/2"/M16/M12	263	0.99	10	107176
188 - 194		40 x 4.0	1/2"/M16/M12	273	1.01	10	107185
199 - 205		40 x 4.0	1/2"/M16/M12	284	1.05	10	107194
207 - 216		40 x 4.0	1/2"/M16/M12	295	1.11	10	148939
219 - 225	8"	40 x 4.0	1/2"/M16/M12	304	1.12	10	107200
244 - 250		40 x 4.0	1/2"/M16/M12	329	1.25	10	107219
267 - 273	10"	40 x 4.0	1/2"/M16/M12	352	1.33	10	107228
278 - 284		40 x 4.0	1/2"/M16/M12	363	1.36	10	107237
297 - 303		40 x 4.0	1/2"/M16/M12	382	1.44	10	107246